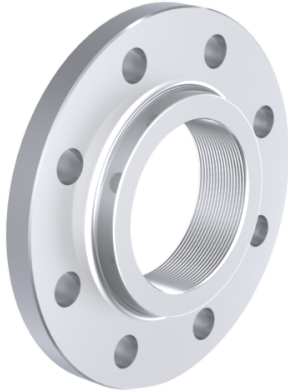


## Threaded flange TYPE FL06 acc. to EN 1092-1 type 13



### description:

Threaded flanges acc. to EN 1092-1 Typ 13 to swivel on pipes or fittings. These flanges are useful to connect pipes or to integrate valves into a pipeline system.

### product features:

- suitable for **liquid and gaseous media**
- DIN EN 1092-1 type 13

### diameter:

DN10 – DN150

### connection:

PN16, PN40 – depending on diameter

### design:

### material:

threaded flange with projection

type 00: stainless steel 1.4571

type 01: stainless steel 1.4541

type 02: steel C22.8 / P250GH

### standard:

EN 1092-1 type 13

### sealing surface:

B1

### connection:

PN16/40

### mounting position:

free

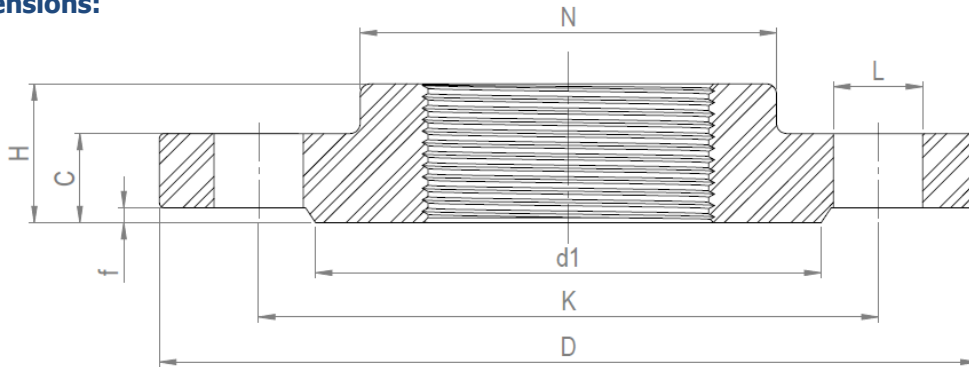
### seals:

optional

### screws:

optional

Dimensions:



DN	PN	flange							screws					weight kg
		Thread	D	C	K	H	N	d1	f	Quantity	Thread	L		
10	PN10/16/25/40	R 3/8"	90	16	60	22	30	40	2	4	M12	14	0,646	
15	PN10/16/25/40	R 1/2"	95	16	65	22	35	45	2	4	M12	14	0,722	
20	PN10/16/25/40	R 3/4"	105	18	75	26	45	58	2	4	M12	14	1,040	
25	PN10/16/25/40	R 1"	115	18	85	28	52	68	2	4	M12	14	1,250	
32	PN10/16/25/40	R 1 1/4"	140	18	100	30	60	78	2	4	M16	18	1,810	
40	PN10/16/25/40	R 1 1/2"	150	18	110	32	70	88	3	4	M16	18	2,060	
50	PN10/16	R 2"	165	18	125	28	84	102	3	4	M16	18	2,390	
	PN40	R 2"	165	20	125	34	84	102	3	4	M16	18	2,740	
65	PN10/16	R 2 1/2"	185	18	145	32	104	122	3	4	M16	18	2,970	
	PN40	R 2 1/2"	185	22	145	38	104	122	3	8	M16	18	3,650	
80	PN10/16	R 3"	200	20	160	34	118	138	3	8	M16	18	3,780	
	PN40	R 3"	200	24	160	40	118	138	3	8	M16	18	4,590	
100	PN10/16	R 4"	220	20	180	40	140	158	3	8	M16	18	4,380	
	PN40	R 4"	235	24	190	44	145	162	3	8	M20	22	6,100	
125	PN10/16	R 5"	250	22	210	44	168	188	3	8	M16	18	6,070	
150	PN10/16	R 6"	285	22	240	44	195	212	3	8	M20	22	7,240	

Article number:

Material:		VA 1.4571	VA 1.4541	C22.8 / P250GH
DN	PN	Type 00 Art. No.	Type 01 Art. No.	Type 02 Art. No.
10	PN10/16/25/40	FL06000102	FL06010102	FL06020102
15	PN10/16/25/40	FL06000103	FL06010103	FL06020103
20	PN10/16/25/40	FL06000104	FL06010104	FL06020104
25	PN10/16/25/40	FL06000105	FL06010105	FL06020105
32	PN10/16/25/40	FL06000106	FL06010106	FL06020106
40	PN10/16/25/40	FL06000107	FL06010107	FL06020107
50	PN10/16	FL06000208	FL06010208	FL06020208
	PN40	--	--	FL06020408
65	PN10/16	FL06000209	FL06010209	FL06020209
	PN40	--	--	FL06020409
80	PN10/16	FL06000210	FL06010210	FL06020210
	PN40	--	--	--
100	PN10/16	FL06000211	FL06010211	FL06020211
	PN40	--	--	--
125	PN10/16	FL06000212	--	--
150	PN10/16	FL06000213	--	--

Image similar, subject change without notice.